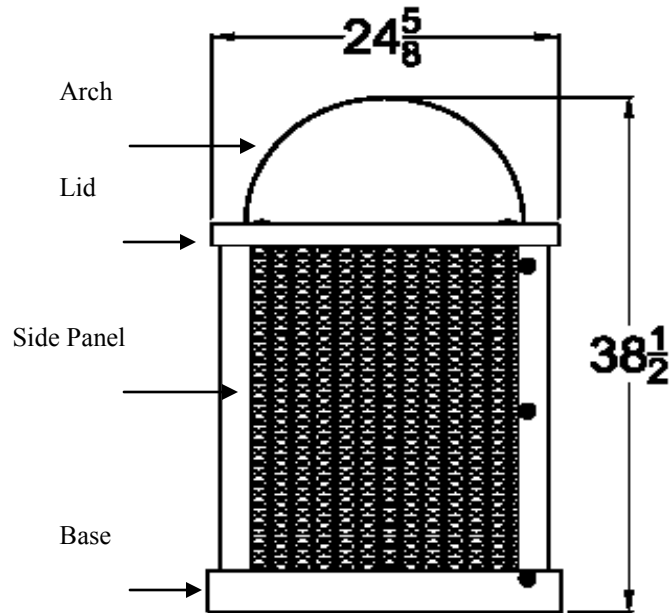


## Square Arch Lid Receptacle



Description	Qty.
Receptacle Lid	1
Receptacle Base	1
Arch	1
Receptacle Side Panel	4
3/8"x1-3/4" SS Btn. Skt. Cap Scr.	4
3/8"x1-1/2" SS Btn Skt. Cap Scr	8
3/8"x1-1/4" SS Btn. Skt. Cap Scr	4
3/8" SS Nylock Nut	16
3/8" SS Flat Washer	32

### Assembly Instructions:

1. With 7/16" drill bit, drill out the holes of the side panels, arch, lid, and base.
2. Making sure the smooth finished sides of the side panels are out, stand two of the side panels vertically and connect the angle mount of one side, and the flat mount of the other with the nuts, washers, and 3/8"x1-1/2" bolts. Leave the bottom holes open, they will be used to mount the side panels to the base once the assembly is complete.
3. Repeat this process with the remaining two side panels
4. Connect the two assemblies to each other in the same manner as step two, creating a box
5. Place the box into the base aligning the bottom holes with the holes of the base. Bolt the two pieces together.
6. Complete the top assembly by aligning the holes of the arch with the holes in the lid and bolt together with the nuts, washers. And 3/8"x1-1/4" bolts.
7. Place the lid assembly over the side assembly.
8. There is a chain loop mounted to the inside of the lid and base if a security chain is required.

*Periodic check of bolt tightness recommended.*