

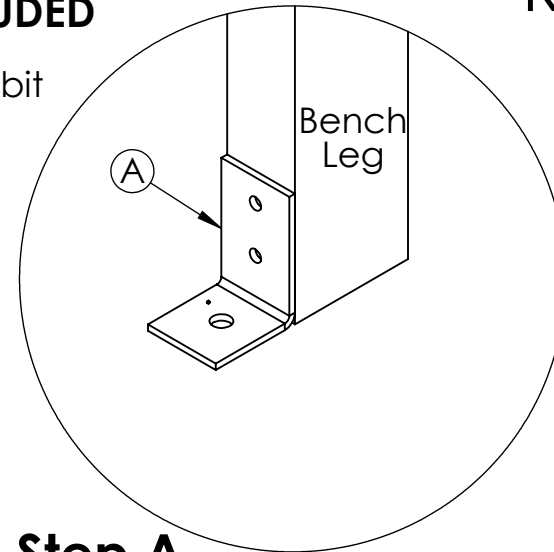
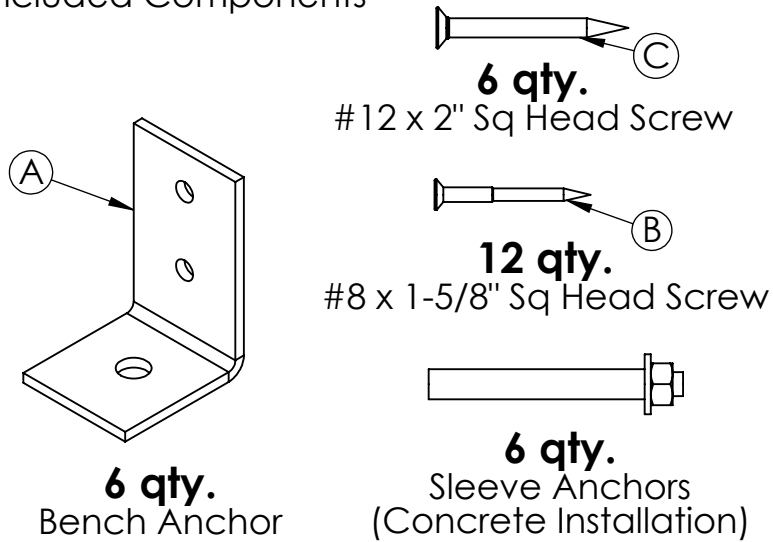
# BENCH ANCHOR KIT INSTRUCTIONS WOOD OR NON-CONCRETE

## REQUIRED TOOLS NOT INCLUDED

- Power Drill
- #2 Square bit

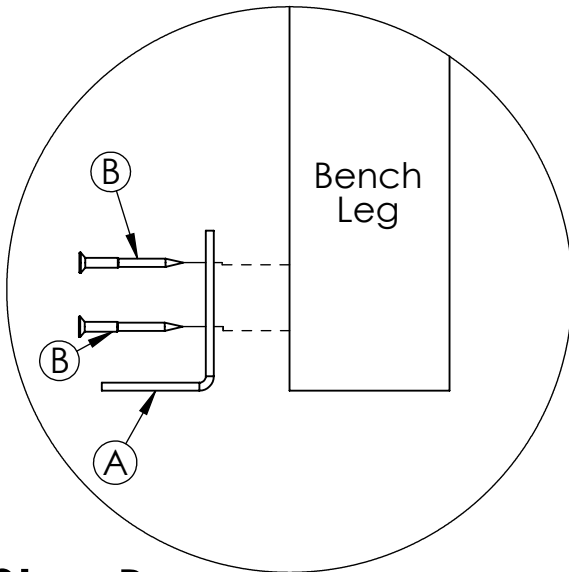
KBC9401

### Included Components



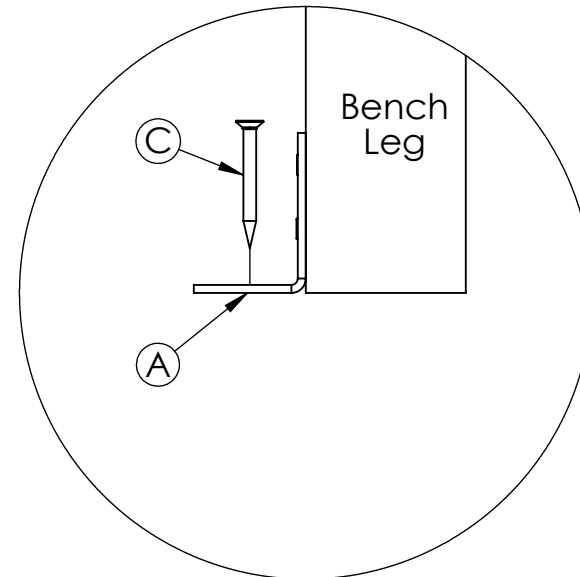
### Step A

Position bench with anchor (A) in place. Mark position of anchors on bench leg and mounting surface.



### Step B

Screw 1-5/8" screws (B) into bench leg.



### Step C

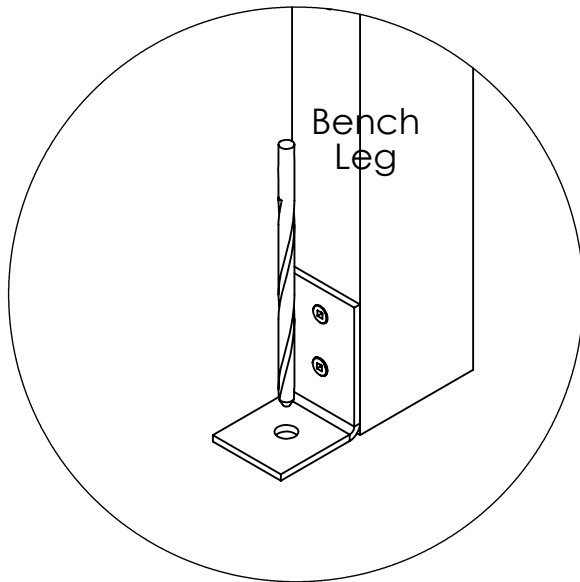
Screw 2" screws (C) into mounting surface.

# BENCH ANCHOR KIT INSTRUCTIONS CONCRETE

## REQUIRED TOOLS NOT INCLUDED

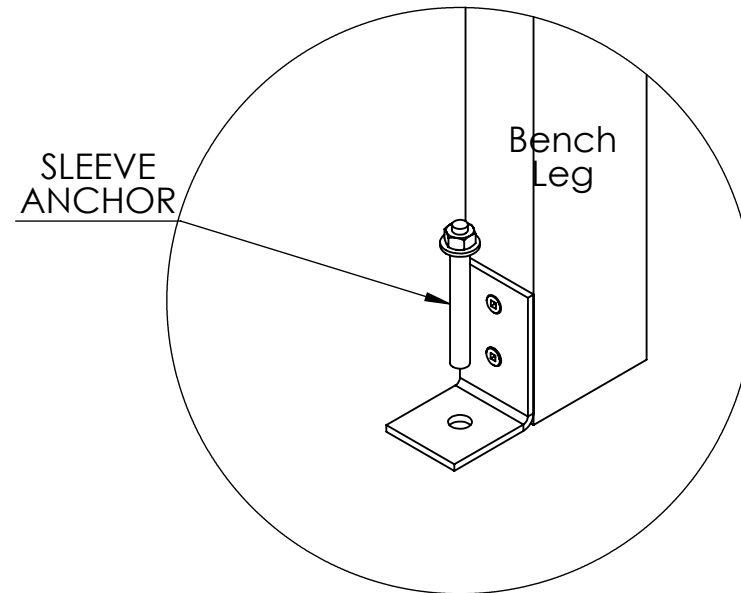
- HAMMER DRILL
- 5/16" MASONRY DRILL BIT
- HAMMER
- 7/16" SOCKET OR WRENCH

KBC9401



### Step D

Using a hammer drill and 5/16" masonry bit, drill a hole for each bench anchor in the concrete.



### Step E

Insert a sleeve anchor into the hole. You may need to tap the anchor down with a hammer to seat the bolt. Tighten the nut to engage the anchor mechanism. If desired, the exposed threads can be cut off when tight.