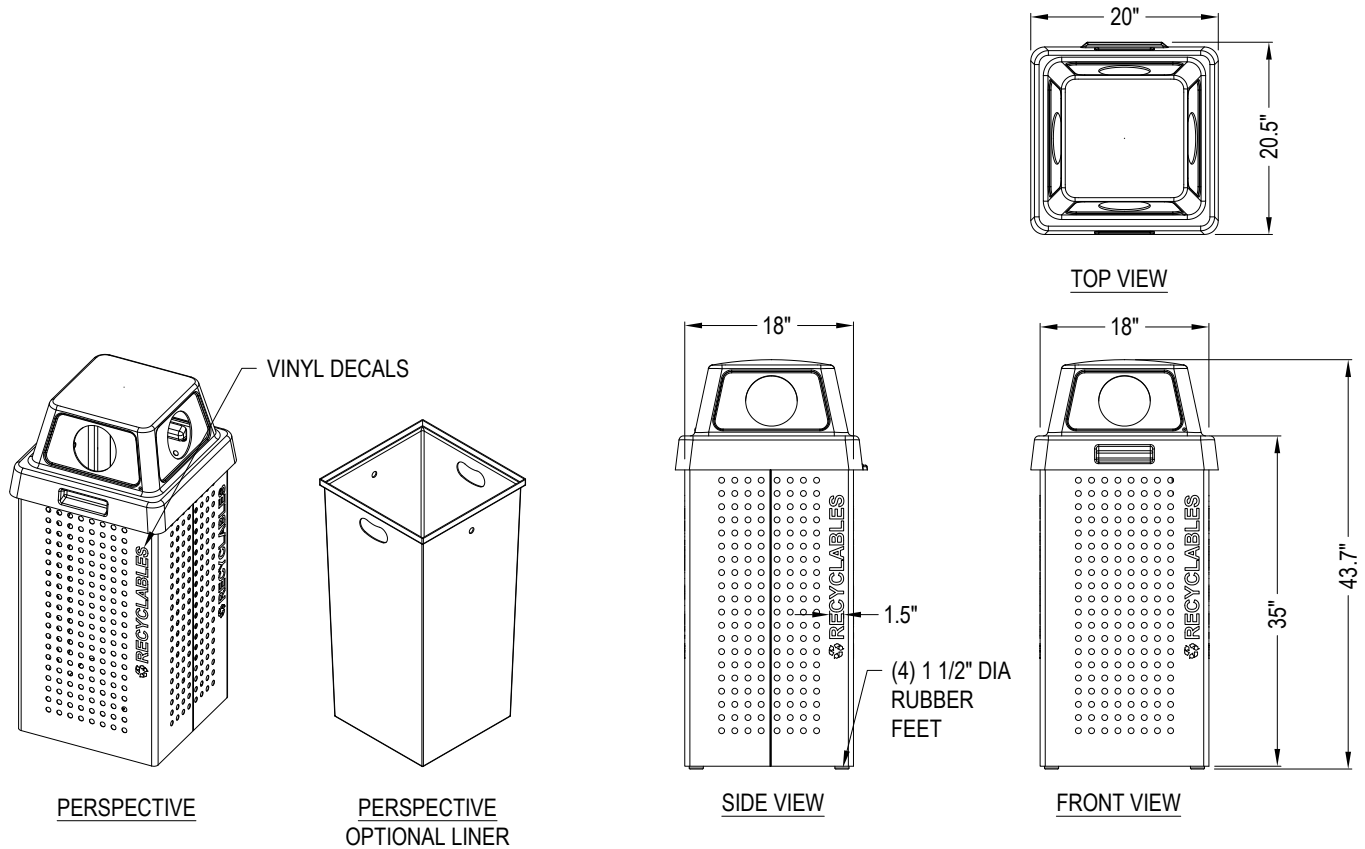


# OUTDOOR RECEPTACLES



## SPECIFICATIONS:

**CAPACITY:** 36-GALLON

**FINISH:** RECYCLE BLUE GLOSS (RBL)

**BODY AND BOTTOM:** 18 GA GALVANNEAL STEEL. COMPLETELY WELDED CONSTRUCTION PREPARED IN 5 STAGE PRETREATMENT AND ELECTROSTATICALLY POWDER COATED WITH TGIC POLYESTER POWDER COATING. 2-3 MIL THICKNESS. TO FIT A LINER BAG: 32.76" X 48"

**LID:** LDPE. FOUR OPENINGS; 4 - 5 1/2" DIA. ATTACHED TO BODY WITH VINYL COATED WIRE LANYARD CABLE.

**VINYL DECALS:** APPLIED ON 4 FACES; STANDARD WHITE, 1 1/2" HIGH

- UNIT SITS ON 4 RUBBER FEET WHICH ARE SCREWED TO BOTTOM OF UNIT.
- OPTIONAL LINER AVAILABLE: RIGID LEAKPROOF LINER, 33 GALLON CAPACITY. BLACK; LLDPE HOLES. 16" X 16" X 34" WITH BAG RETENTION AND CUT OUT LIFT HANDLE.
- EACH UNIT COMES WITH GROUND MOUNTING KIT.

1. INSTALLATION TO BE COMPLETED IN ACCORDANCE WITH MANUFACTURER'S SPECIFICATIONS.
2. DO NOT SCALE DRAWING.
3. THIS DRAWING IS INTENDED FOR USE BY ARCHITECTS, ENGINEERS, CONTRACTORS, CONSULTANTS AND DESIGN PROFESSIONALS FOR PLANNING PURPOSES ONLY. THIS DRAWING MAY NOT BE USED FOR CONSTRUCTION.
4. ALL INFORMATION CONTAINED HEREIN WAS CURRENT AT THE TIME OF DEVELOPMENT BUT MUST BE REVIEWED AND APPROVED BY THE PRODUCT MANUFACTURER TO BE CONSIDERED ACCURATE.